



**GC Weighing  
& Calibrations**  
*don't weight to call*

**A&D FZ SERIES ANALYTICAL BALANCE**

# SCALES



**GC WEIGHING & CALIBRATIONS**

**Unit 7 No 8 - 10 Christensen Road  
Stapylton - QLD 4207**

**sales@gcweigh.com.au**

**Ph: 0474 30 40 50**





**GC Weighing  
& Calibrations**  
*don't weight to call*

**A&D FZ SERIES ANALYTICAL BALANCE**

# SCALES

- **Easy data capture with free software**
- **One touch automatic calibration**
- **One touch sensitivity adjustment with an internal weight**
- **Comparator mode with buzzer for intuitive, error free check weighing**
- **Percent mode useful for target weighing or checking sample variation**
- **GLP/GMP/GCP/ISO compliant to meet documentation requirements**
- **User access control (UAC) that password-protects from misuse**
- **Impact shock detection (ISD)**

**GC WEIGHING & CALIBRATIONS**

**Unit 7 No 8 - 10 Christensen Road  
Stapylton - QLD 4207**

**sales@gcweigh.com.au**





## Specifications

Models	FZ-104 F X-10	FZ-154 FX-154	FZ-254 FX-254	FZ-454 FX-254D
Capacity	102g	152g	252g	62 g / 252g*
Readability	0.0001 g			0.0001 g / 0.001 g* <sup>†</sup>
Repeatability (standard deviation)* <sup>ii</sup>	0.0001 g		0 to 200 g: 0.0001 g 200 to 250 g: 0.0002 g	0.0001 g / 0.0005 g
Linearity	±0.0002 g		±0.0003 g	±0.0003 g / ±0.001 g
Stabilization time (typical when set to FAST)	Approx. 2 secs			
Sensitivity drift	±2 ppm/°C (10 to 30 °C/50 to 86 °F)			
Operating environment	5 to 40 °C (41 to 104 °F), 85 %RH or less (no condensation)			
Display refresh rate	5 times/sec, 10 times/sec or 20 times/sec			
Units of measure* <sup>iv</sup>	mg (milligram), g (gram), oz (ounce), ozt (troy ounce), ct (metric carat), mom (momme), dwt (pennyweight), gr (grain), pcs (counting mode), % (percent mode), DS (density mode), and a user-programmable unit			
Counting mode	Minimum unit mass	0.0001 g		0.001 g
	Number of samples	5, 10, 25, 50 or 100 pieces		
Percent mode	Minimum 100% reference mass	0.0100 g		0.100 g
	% readability	0.01%, 0.1% or 1% (depends on the reference mass stored)		
Standard communication interface	RS-232C (D-Sub 9-pin)			
Internal sensitivity adjustment method	Air-pump controlled, direct-driving method (for FZ only)			
Applicable weight value for sensitivity adjustment	50g 100g	50 g 100 g 150 g	50g 100g 250g	20 g 50 g 100 g 200 g 250 g
Weighing pan size	Ø90 mm			
External dimensions	198 (W) × 294 (D) × 315 (H) mm (with the large breeze break)			
Net weight	FZ: approx. 3.9 kg   FX: approx. 3.5 kg			
Power supply / consumption	AC adapter / approx. 30 VA			
Standard accessories	Large breeze break × 1, Main unit cover × 1, AC adapter × 1			

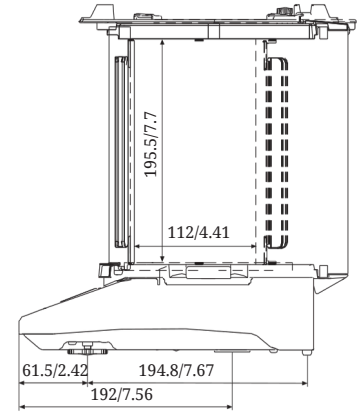
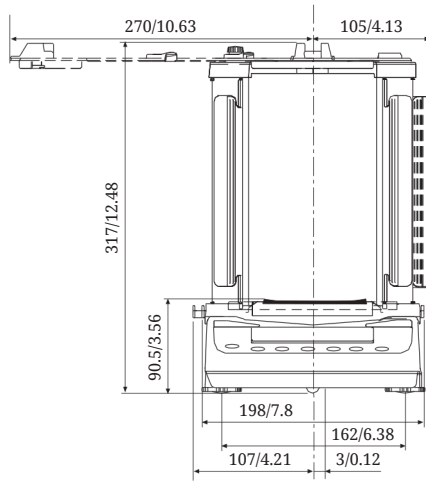
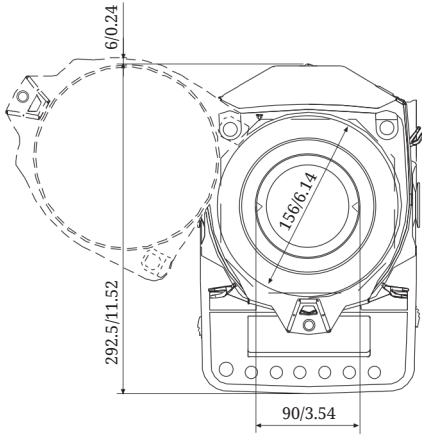
Models	FZ-123 FX-123 FZ-123WP FX-123WP	FZ-223 FX-223 FZ-223WP FX-223WP	FZ-323 FX-323 FZ-323WP FX-323WP	FZ-523 FX-523	FZ-1202 FX-1202 FZ-1202WP FX-1202WP	FZ-2202 FX-2202 FZ-2202WP FX-2202WP	FZ-3202 FX-3202 FZ-3202WP FX-3202WP	FZ-5202 FX-5202
Capacity	122g	220g	320g	520 g	1220g	2200g	3200g	5200 g
Readability	0.001 g				0.01 g			
Repeatability (standard deviation)* <sup>ii</sup>	0.001 g				0.01 g			
Linearity	±0.002 g				±0.02 g			
Stabilization time (typical when set to FAST)	Approx. 1 sec							
Sensitivity drift	±2 ppm/°C (10 to 30 °C/50 to 86 °F)							
Operating environment	5 to 40 °C (41 to 104 °F), 85 %RH or less (no condensation)							
Display refresh rate	5 times/sec, 10 times/sec or 20 times/sec							
Units of measure* <sup>iv</sup>	g (gram), oz (ounce), lb (pound), lb-oz (pound-ounce), ozt (troy ounce), ct (metric carat), mom (momme), dwt (pennyweight), gr (grain), pcs (counting mode), % (percent mode), DS (density mode), and a user-programmable unit							
Counting mode	Minimum unit mass	0.001 g			0.01 g			
	Number of samples	5, 10, 25, 50 or 100 pieces						
Percent mode	Minimum 100% reference mass	0.100 g			1.00 g			
	% readability	0.01%, 0.1% or 1% (depends on the reference mass stored)						
Standard communication interface	RS-232C (D-Sub 9-pin)							
Applicable weight value for sensitivity adjustment	50 g 100 g	50g 100g 200g	50 g 100 g 200 g 300 g	50 g 100 g (100 g interval) 500 g	500 g 1000 g	500g 2000g	500 g 1000 g 2000 g 3000 g	500 g 1000 g (1000 g interval) 5000 g
Weighing pan size	Ø130 mm				Ø150 mm			
External dimensions	193 (W) × 262.5 (D) × 85.5 (H) mm   193 (W) × 262.5 (D) × 176 (H) mm (with the small breeze break)							
Net weight	FZ: approx. 3.0 kg   FX: approx. 2.5 kg   FZ-WP: approx. 3.2 kg   FX-WP: approx. 2.7 kg							
Dust and waterproof rating	IP65 (for FZ-WP/FX-WP only)							
Power supply / consumption	AC adapter / approx. 30 VA							
Standard accessories	Small breeze break × 1* <sup>v</sup> , Main unit cover × 1, AC adapter × 1							

\*i Smart range function: Automatically switches between the precision and standard ranges, and recovers the full precision range as the tare operation is performed.  
 \*ii Repeatability can worsen depending on the environmental conditions and operator skills.  
 \*iii Pursuant to the United States Pharmacopeia (USP), Chapter 41  
 \*iv One additional unit from tael (Singapore/HK jewelry/Taiwan/China), tola or Newton can be added upon request.  
 \*v Small breeze break × 1, Main unit cover × 1, AC adapter × 1

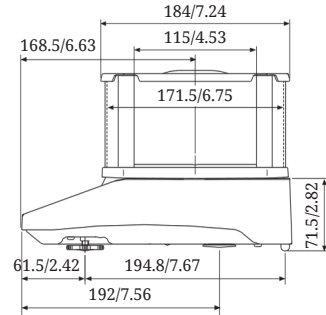
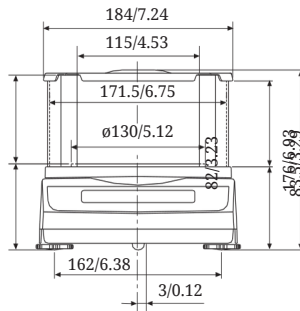
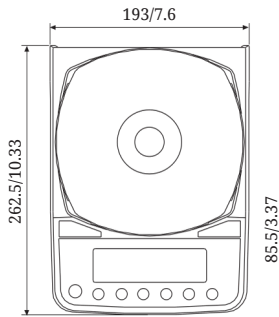




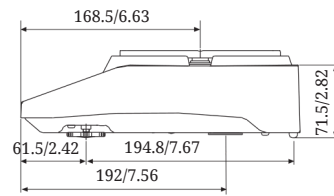
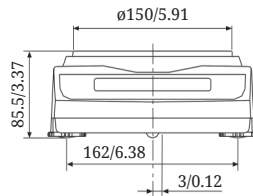
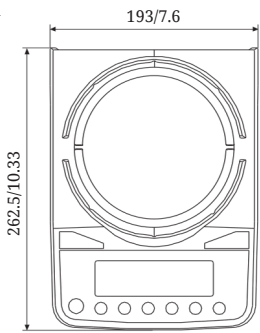
**Dimensions** (m m / i n c h e s)  
0.0001g models



0.001 g models



0.01 g models\*<sup>vi</sup>



\*<sup>vi</sup> A small breeze break is provided as standard for the 0.01 g models of the FZ/FZ-WP series as well.



Internal Weight (FZ/FZ-WP)



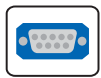
IP65 (FZ-WP/FX-WP)



Compact Super Hybrid Sensor



Reverse Backlit LCD



RS-232C Interface



User Access Control



GLP Compliant



Date & Time (FZ/FZ-WP)



Impact Shock Detection



Counting with ACAL



Percentage Function



Animal Weighing



Statistical Calculation



Comparator Function



Auto Power ON



Auto Power OFF



Underhook

Optional



Bi-directional/Quick USB



Ethernet (TCP/IP) Interface



Bluetooth® Interface



Rechargeable Battery



Discover Precision

