



GC Weighing & Calibrations

don't weight to call

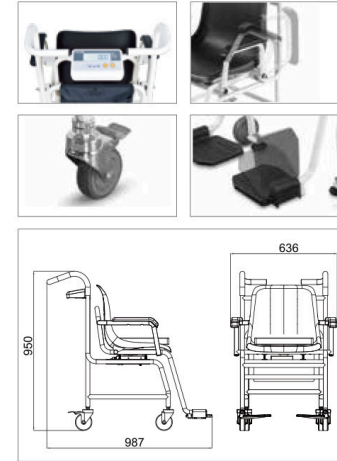
Address: Unit 7, 8-10 Christensen Road
Stapylton, QLD 4207

Mobile: 0474 30 40 50

Email: info@gcweigh.com.au



M501 Chair Scales



Features

Approved as a medical device according to 93/42/EEC

This chair scale is the ideal measuring instrument for retirement homes, rehabilitation centers and clinics with lots of patients, and can handle weighing overweight persons weighing up to 250 kg

Mobile version with steerable rollers and particularly convenient locking brakes

With its four wheels, this chair provides maximum mobility in bringing the scale to the patients. **This ensures more efficient** use of time for the clinic staff and greater safety for the patients, who can be weighed in their familiar environment

The rollers, with their large diameter, make it easier to get over door thresholds, edges and across the gaps into elevators

For fragile patients, the comfortable, ergonomically optimized seat offers secure support during weighing

Because of the clearly contrasting black color of the seating surface, footrests and armrests ideally suited for use with dementia patients

Two foldable armrests and footrests make transfers into the chair easier. Ideal for overweight patients or barrier-free use, e.g. for transfers from a bed to the scale

Function include hold, BMI

Hold function: When patients do not sit completely still, a stable weight is calculated using an average weight and this is then "frozen". This means that you have sufficient time to attend to the patient first and then take the weight reading in peace

BMI function to determine underweight/normal weight/surplus weight

Technical Data

Display: LCD display, digits height 25 mm, with white color LED backlight

Dimensions: 625x990x985 mm

Power: AC adapter (100-240VAC/12V500mA), rechargeable battery (Ni-MH 1.2V 2000mAhx6, size AA), operating time up to 40h without backlight, charging time approx. 12 h

Net weight: 24 kg

Standard



Factory Option



Model	Weighing Capacity [Max]kg	Readability [d]g	Verification value [e]g
M501-250kg	250	100	100